

 **TRIPOD**
MOBILITY
WHEELCHAIR ACCESSIBLE VEHICLES



FORD
Tourneo Custom



SPACIOUS, ADAPTABLE, AND RELIABLE.

A practical family car offering flexible seating and ample space. It ensures optimal comfort and visibility for up to **2 wheelchair passengers**.

BROCHURE

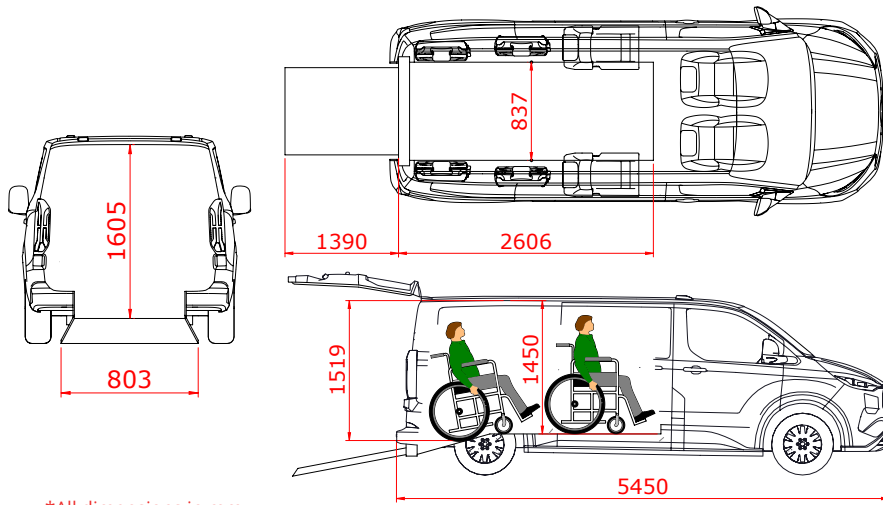
L2-LF

Long version or L2H1.
Carlength 5.45m, wheelbase 3.50m.

Tested and approved by:

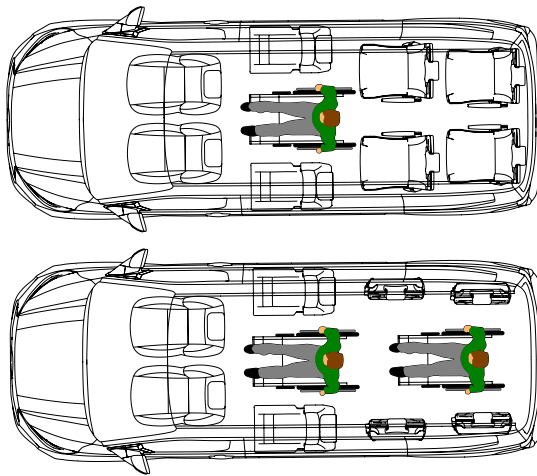


Measurements



*All dimensions in mm

Seating options



*A variety of seating options possible.



Standard conversion

- Lowered floor from rear up between the 2nd row seats, fully covered with matching upholstery.
- New fuel tank and modified exhaust system to accommodate a deep and level lowered floor.
- Foldable taxi ramp which creates a flat loading floor.
- The center part from the rear bumper will be replaced on the hatch, thus maintaining the original look.
- Original parking sensors remain fully functional post-conversion.
- LED lights at the entrance by the rear hatch for better visibility.

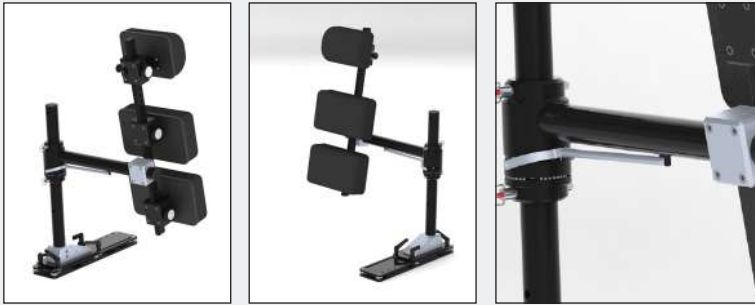
Options

- Fixed seats left or/and right on the 2nd row
- TriflexAIR turn and fold seats on the 3rd or/ and 4th row.
- 4-point wheelchair tie-down system with an adjustable 3-point seatbelt for the wheelchair passenger. (Front position)
- 4-point wheelchair tie-down system with an adjustable 3-point seatbelt for the wheelchair passenger. (Rear position)
- 6 LED lights on the side of the lowered floor
- BodyGuard; back and head protection for the wheelchair user.

Options

Safety

Tripod Mobility values your safety above all. All our conversions have been developed with care and new conversions tested independently. The **European Type Approval** we provide, make for easy registration anywhere in the EU.



BodyGuard

Designed to offer the same protection to the wheelchair user a good car seat would

- back and neck support
- suitable for every car
- easily foldable
- safety tested

TriflexAIR seats

- One of the slimmest and lightest swivel seats available.
- Comfortable because of their high quality filling and breathable upholstery.
- Foldable and can be swiveled out of the way to make room for the wheelchair.
- M1 Approved & tested according to the highest safety standards.
- ISOFIX attachment points for child safety seats passenger.



Taxi ramp

- Ramp that folds flat into the boot allowing for flexible use of the boot.
- For wheelchair user when in vertical position
- Easy access to baggage when folded down, holds up to 80kg.
- Clear rear view when folded down.
- Tested according to regulation ECE-R11.

Disclaimer; prices and descriptions are based on the information available during publication and are valid until further notice. We cannot guarantee the correctness and completeness of the information given and therefore do not accept liability.